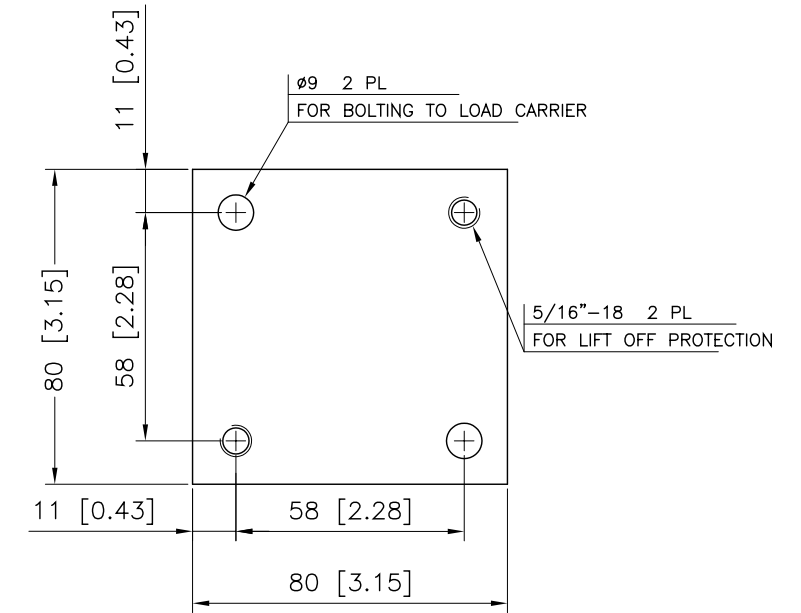
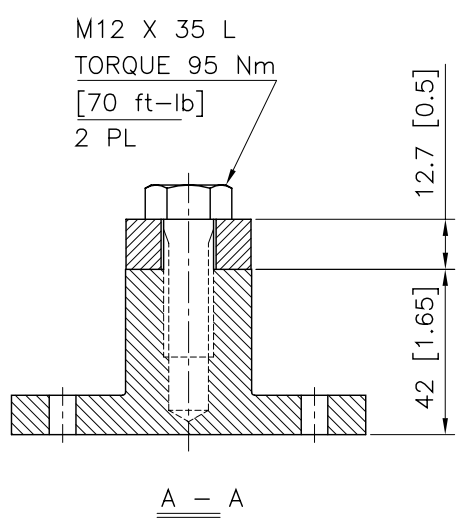
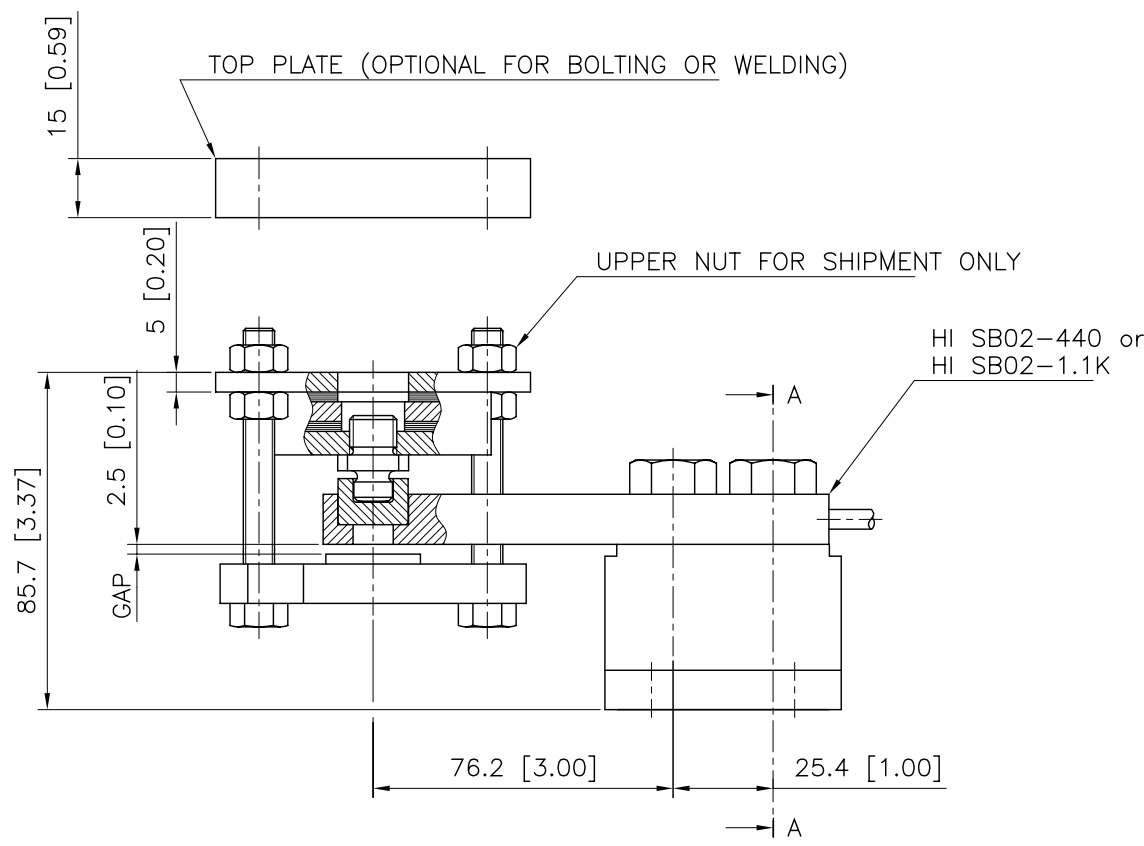
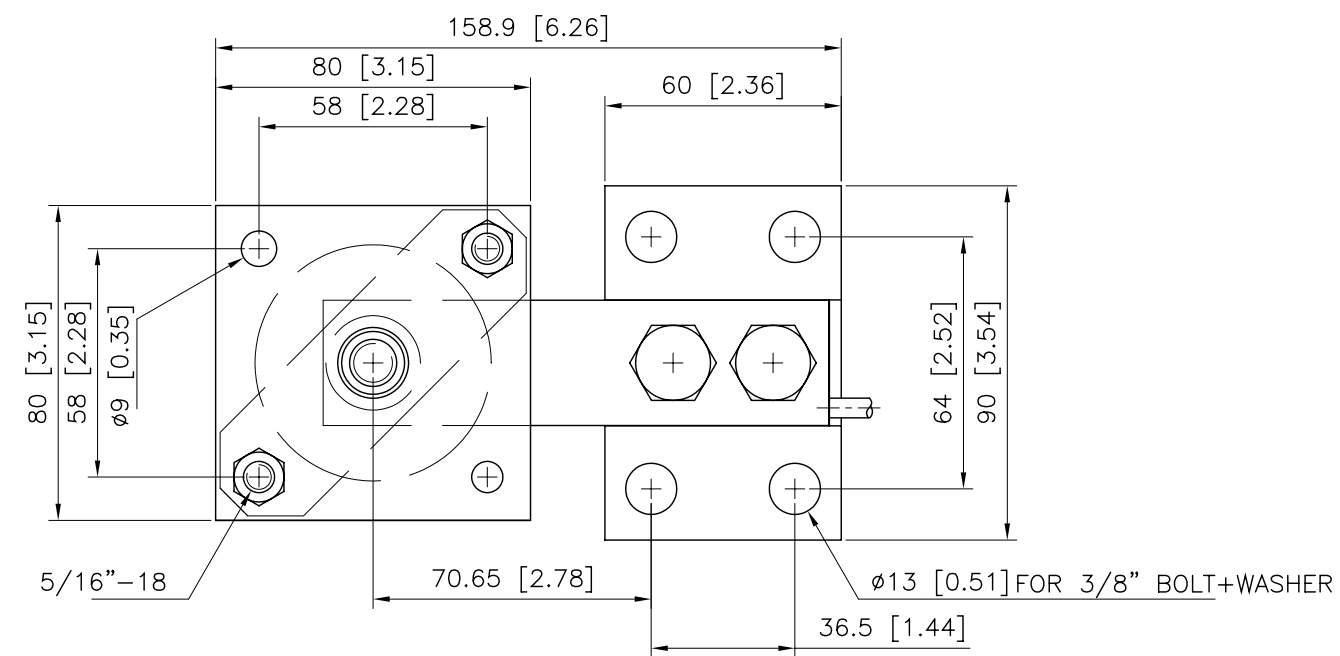


REV.	ECO/DDC	DESCRIPTION	DATE	DRAFT	CHECK	APV'D
A	----	RELEASED.	07-28-04	S.N.	T.K.	S.N.
B	10338	REVISED PER ECN.	04-23-08	V.J.C.	S.N.	V.J.C.



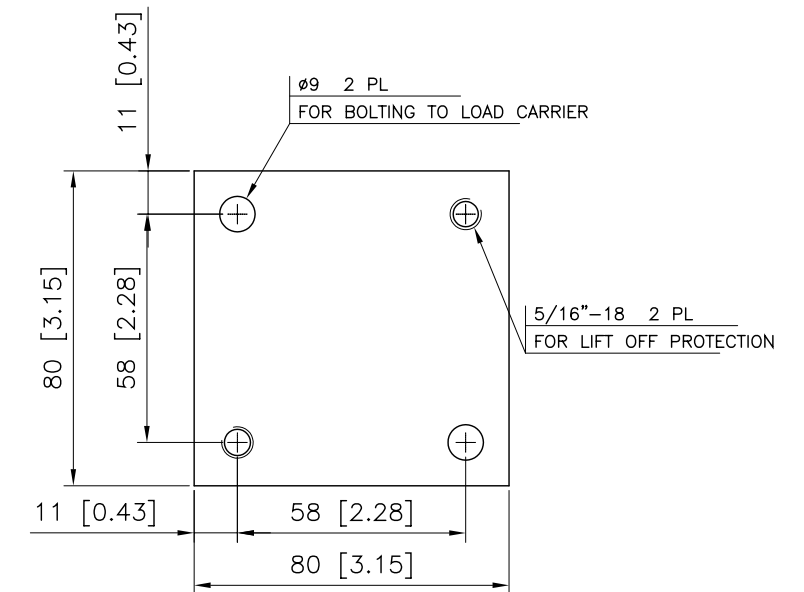
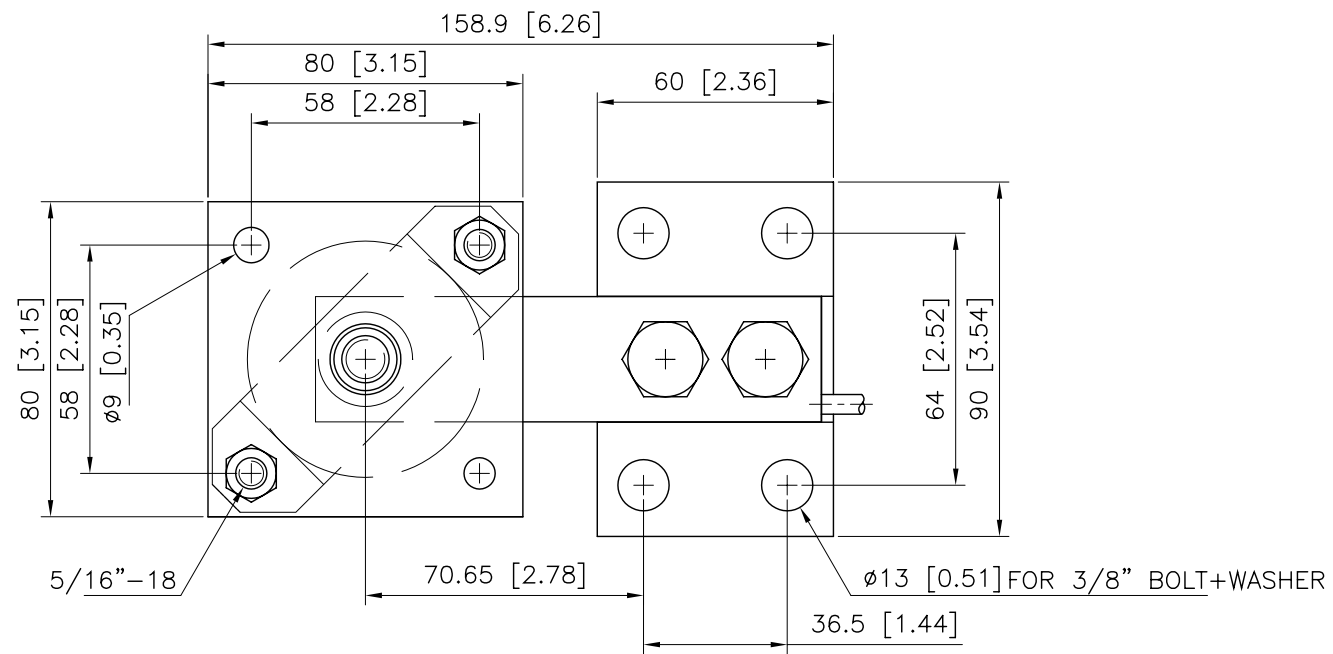
TOP PLATE (OPTIONAL)

HI LPRE440-33C WEIGH MODULE, 440LB [200KG]
 HI LPRE1.1K-33C WEIGH MODULE, 1100LB [500KG]

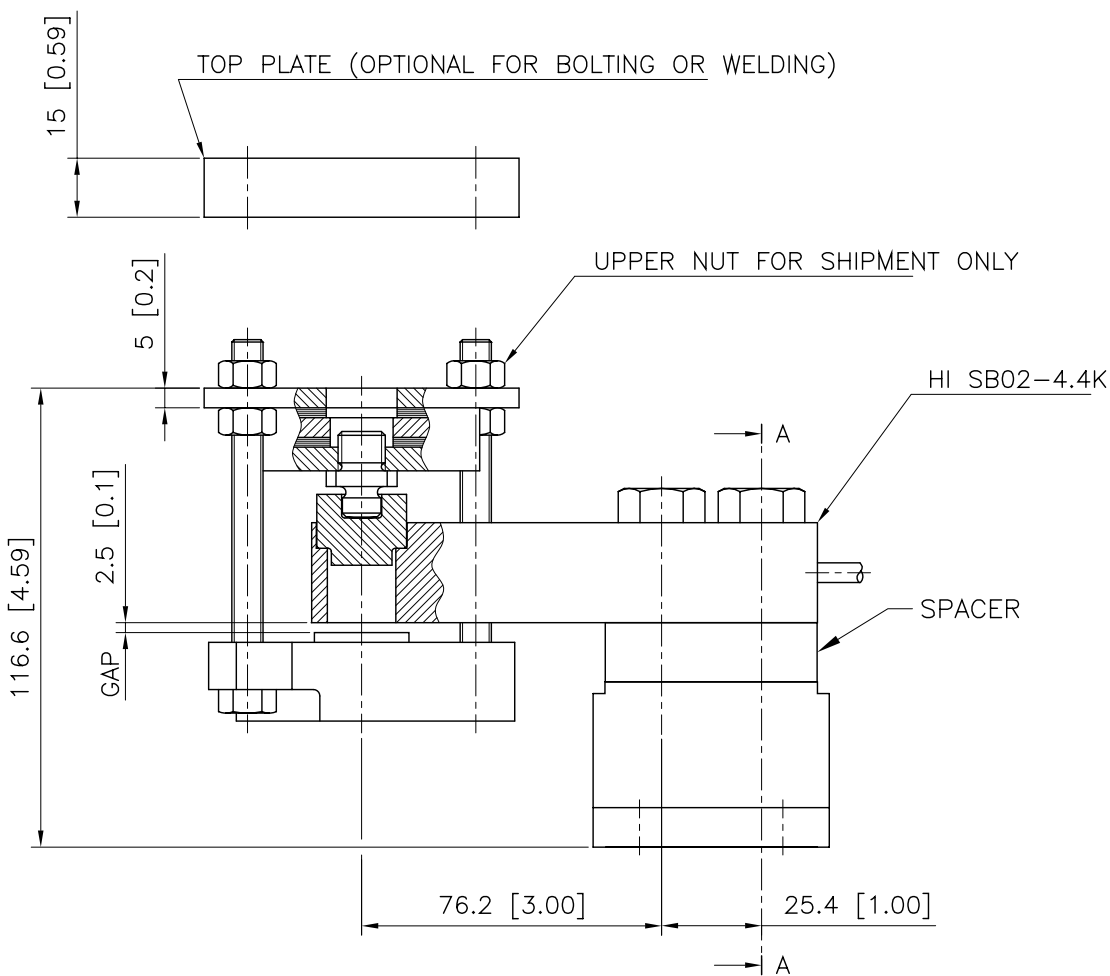
NOTES: UNLESS OTHERWISE SPECIFIED

PROPRIETARY NOTICE
 ALL DATA AND INFORMATION CONTAINED IN OR DISCLOSED BY THIS DOCUMENT IS CONFIDENTIAL AND PROPRIETARY INFORMATION OF HARDY INSTRUMENTS INC. AND ALL RIGHTS THEREIN ARE EXPRESSLY RESERVED. BY ACCEPTING THIS MATERIAL THE RECIPIENT AGREES THAT THIS MATERIAL AND THE INFORMATION CONTAINED THEREIN IS HELD IN CONFIDENCE AND IN TRUST AND SHALL NOT BE USED, COPIED, REPRODUCED IN WHOLE OR IN PART, NOR ITS CONTENTS REVEALED IN ANY MANNER TO OTHERS, EXCEPT TO MEET THE SPECIFIC PURPOSE FOR WHICH IT WAS DELIVERED.

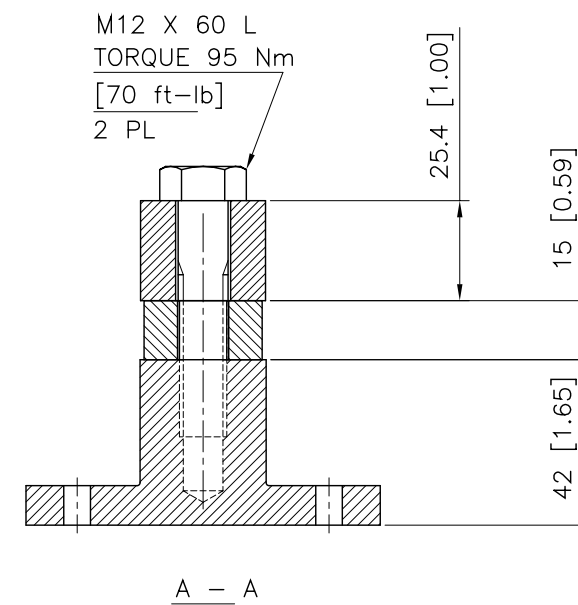
ITEM	QTY	0588-0105	0588-0105	OUTLINE DRAWING, LOAD POINT, HI LPRE SERIES	COMMENTS
PARTS LIST					
UNLESS OTHERWISE SPECIFIED DIMENSIONS ARE IN MM TOLERANCES ARE: FRACTIONS: N/A DECIMALS: .XX = ±.03 .XXX = ±.010 ANGLES: ±0°, 30'		CONTRACT NO.		HARDY INSTRUMENTS TITLE OUTLINE DRAWING, LOAD POINT, HI LPRE SERIES	
MATERIAL		APPROVALS			
FINISH		DRAWN S. NAVARRO	DATE 07-19-04		
DO NOT SCALE DRAWING		CHECKED T. KOPCZINSKY	DATE 07-28-04		
		APPROVED S. NAVARRO	DATE 07-28-04	SIZE D	FSCM 21316
		ISSUED S. NAVARRO	DATE 07-28-04	DRAWING NO. 0588-0105	REV. B
		PRODUCTION	DATE	FILE NAME: 588105B1.DWG	SCALE: NONE
				SHEET 1 OF 3	



TOP PLATE (OPTIONAL)



HI LPRE4.4K-33C WEIGH MODULE, 4400LB [2,000KG]



HARDY INSTRUMENTS			
TITLE OUTLINE DRAWING, LOAD POINT, HI LPRE SERIES			
SIZE D	FSCM 21316	DRAWING NO. 0588-0105	REV. B
FILE NAME: 588105B1.DWG		SCALE: NONE	SHEET 3 OF 3